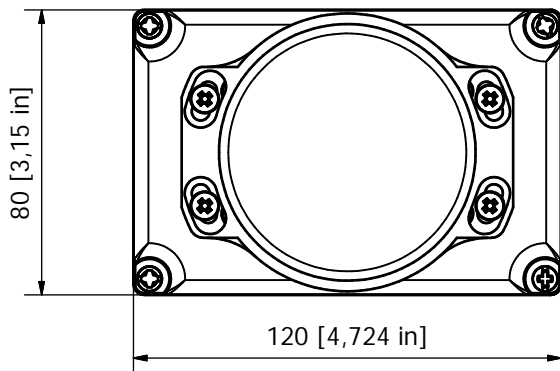
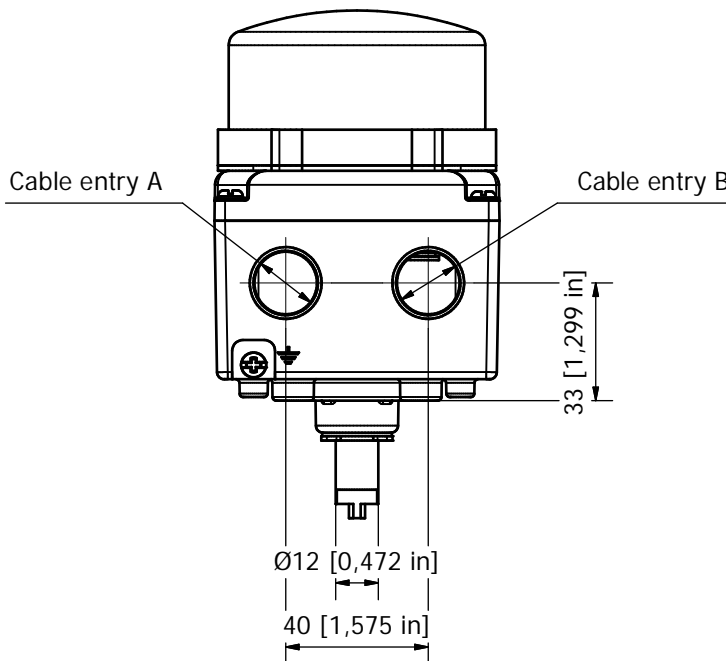
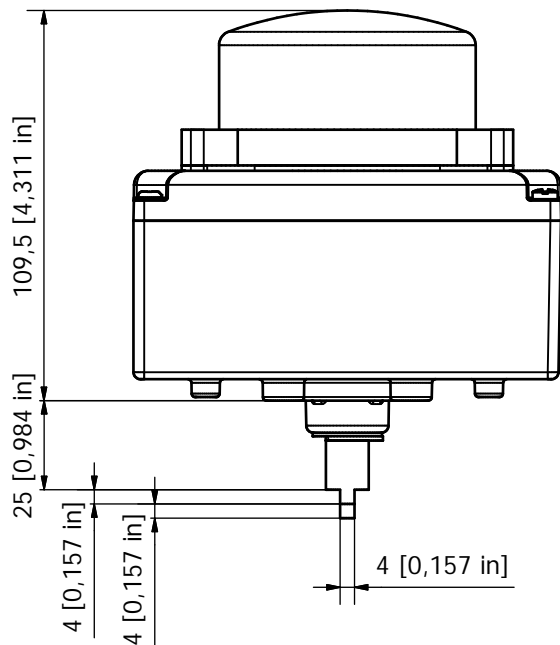
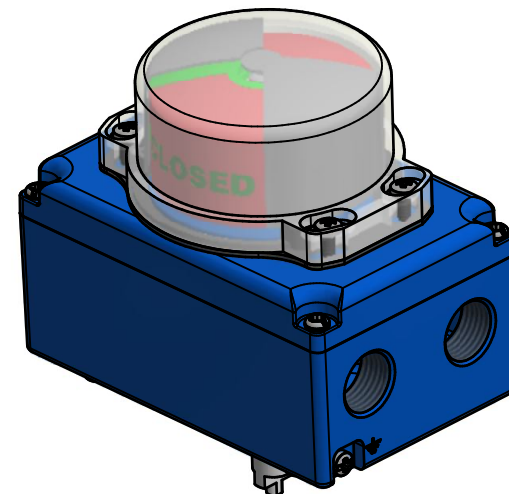


Ø50 [Ø1,969 in]  
ISO F05

M6X1 - 6H

Cable entries		
Code digit	Cable entry A	Cable entry B
1	1/2" NPT	1/2" NPT
2	M20x1.5	M20x1.5
N	1/2" NPT	3/4" NPT
H	M20x1.5	M25x1.5



Valid also for series SIF SIS and CAF

<p><b>IMPORTANT DIMENSIONS</b> QUOTE IMPORTANTI</p>	<p>DEVIATION FOR LINEAR DIMENSIONS (±) DEVIATIONE DIMENSIONI LINEARI (±)</p> <table border="1"> <thead> <tr> <th>DIMENSIONI / DIMENSIONI RANGE / CAMPO</th> <th>PRECISION DEGREE GRADO DI PRECISIONE</th> <th>DIMENSIONI / DIMENSIONI RANGE / CAMPO</th> <th>PRECISION DEGREE GRADO DI PRECISIONE</th> <th>DIMENSIONI / DIMENSIONI RANGE / CAMPO</th> <th>PRECISION DEGREE GRADO DI PRECISIONE</th> </tr> </thead> <tbody> <tr> <td>UP TO 6</td> <td>0.1</td> <td>&gt; 315 UP TO 1000</td> <td>0.8</td> <td>&gt; 3 UP TO 6</td> <td>10'</td> </tr> <tr> <td>&gt; 6 UP TO 30</td> <td>0.2</td> <td>&gt; 1000 UP TO 2000</td> <td>1.2</td> <td>&gt; 6 UP TO 30</td> <td>10'</td> </tr> <tr> <td>&gt; 30 UP TO 120</td> <td>0.3</td> <td>&gt; 2000 UP TO 4000</td> <td>2</td> <td>&gt; 30 UP TO 120</td> <td>20'</td> </tr> <tr> <td>&gt; 120 UP TO 315</td> <td>0.5</td> <td>&gt; 4000</td> <td>3</td> <td>&gt; 120</td> <td>30'</td> </tr> </tbody> </table>		DIMENSIONI / DIMENSIONI RANGE / CAMPO	PRECISION DEGREE GRADO DI PRECISIONE	DIMENSIONI / DIMENSIONI RANGE / CAMPO	PRECISION DEGREE GRADO DI PRECISIONE	DIMENSIONI / DIMENSIONI RANGE / CAMPO	PRECISION DEGREE GRADO DI PRECISIONE	UP TO 6	0.1	> 315 UP TO 1000	0.8	> 3 UP TO 6	10'	> 6 UP TO 30	0.2	> 1000 UP TO 2000	1.2	> 6 UP TO 30	10'	> 30 UP TO 120	0.3	> 2000 UP TO 4000	2	> 30 UP TO 120	20'	> 120 UP TO 315	0.5	> 4000	3	> 120	30'	<p>DEVIATION FOR ANGULAR DIMENSIONS (±) DEVIATIONE ANGOLARE (±)</p> <table border="1"> <thead> <tr> <th>DIMENSIONI / DIMENSIONI RANGE / CAMPO</th> <th>PRECISION DEGREE GRADO DI PRECISIONE</th> </tr> </thead> <tbody> <tr> <td>&gt; 3 UP TO 6</td> <td>10'</td> </tr> <tr> <td>&gt; 6 UP TO 30</td> <td>10'</td> </tr> <tr> <td>&gt; 30 UP TO 120</td> <td>20'</td> </tr> <tr> <td>&gt; 120</td> <td>30'</td> </tr> </tbody> </table>		DIMENSIONI / DIMENSIONI RANGE / CAMPO	PRECISION DEGREE GRADO DI PRECISIONE	> 3 UP TO 6	10'	> 6 UP TO 30	10'	> 30 UP TO 120	20'	> 120	30'
	DIMENSIONI / DIMENSIONI RANGE / CAMPO	PRECISION DEGREE GRADO DI PRECISIONE	DIMENSIONI / DIMENSIONI RANGE / CAMPO	PRECISION DEGREE GRADO DI PRECISIONE	DIMENSIONI / DIMENSIONI RANGE / CAMPO	PRECISION DEGREE GRADO DI PRECISIONE																																						
UP TO 6	0.1	> 315 UP TO 1000	0.8	> 3 UP TO 6	10'																																							
> 6 UP TO 30	0.2	> 1000 UP TO 2000	1.2	> 6 UP TO 30	10'																																							
> 30 UP TO 120	0.3	> 2000 UP TO 4000	2	> 30 UP TO 120	20'																																							
> 120 UP TO 315	0.5	> 4000	3	> 120	30'																																							
DIMENSIONI / DIMENSIONI RANGE / CAMPO	PRECISION DEGREE GRADO DI PRECISIONE																																											
> 3 UP TO 6	10'																																											
> 6 UP TO 30	10'																																											
> 30 UP TO 120	20'																																											
> 120	30'																																											
<p>PART NUMBER / CODICE ARTICOLO : <b>2021251</b></p>	<p>Design / Designatore: <b>AZ</b></p>	<p>Checked by / Controllato da: <b>G.L.</b></p>	<p>Material / Materiali:</p>	<p>Dimension / Dimensione: <b>mm</b></p>																																								
<p>GENERAL TOLERANCES (UNI 5307) - PRECISION DEGREE: Medium TOLLERANZE GENERALI (UNI 5307) - GRADO DI PRECISIONE: Medium</p>	<p>rotork® Instruments</p>		<p>Description / Descrizione Dimensional drawing series SS and SF</p>																																									
<p>WHERE NOT SPECIFIED FLASHES AND SHARP EDGES SHALL BE REMOVED OVE NON ESPRESSAMENTE INDICATO TOGLIERE BAVE E SPIGOLI VIVI</p>	<p>Drawing number <b>2021251</b></p>	<p>Rev. <b>0-0</b></p>	<p>Date/Data <b>09/06/2017</b></p>																																									
<p>La ditta ROTORK si riserva a termine di legge la proprietà del presente disegno e ne vieta la divulgazione a terzi senza autorizzazione scritta. The present drawing is property of ROTORK. Any reproduction or divulgation to third party without written authorization by ROTORK will be persecuted according to law.</p>																																												